



Inspired by Innovation

CONFERENCE

BANQUET

MEETINGS



ELEMENTS

LIVE COOKING STATIONS

MAXIMUM FLEXIBILITY WITH DESIGNER STYLE

ELEMENTS LIVE COOKING STATIONS

INSPIRED CHOICES FOR ANY SERVICE STYLE

Adaptable and stylish, the Elements range of buffet servery is functional F&B furniture of the highest design and durability. Its sleek, minimal lines coupled with its nesting features provide modular flexibility and design architecture, raising the bar of every F&B occasion.

Interchangeable panels with a stainless steel protective trim offer a choice of presentation options. Easy to use, reliable and powerful induction cookers and safe warming stations glide between heat-resistant compact laminate bench tops. Its nesting features offer multi-level presentation options as well as storage value. Elements Live Cooking is the ultimate addition to any F&B event.





SPACE SAVING
NESTING DESIGN

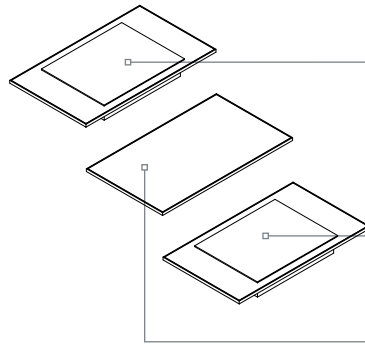
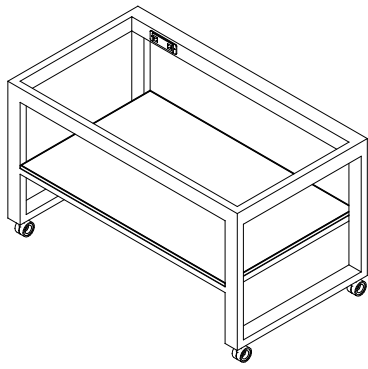
FULLY MOVEABLE, WELDED
AND FINISHED STAINLESS
STEEL FRAME

HEAVY DUTY, FULL SWIVEL,
LOCKABLE CASTERS

PREMIUM HIGH-PRESSURE
LAMINATE FINISH WITH
STAINLESS STEEL TRIM

COMMERCIAL GRADE QUALITY
INDUCTION UNITS WITH
TOUCH CONTROLS

ELEMENTS - SMALL



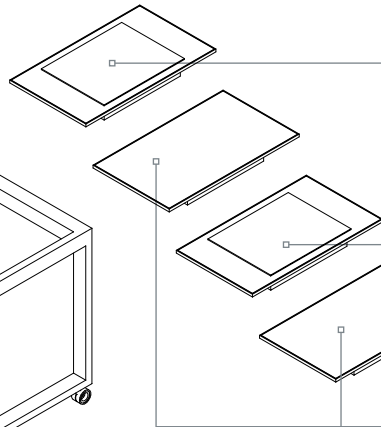
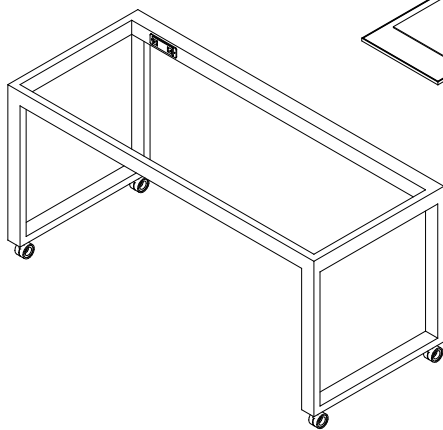
3 INTERCHANGEABLE PANELS WITH REMOVABLE SHELF

1 x INBUILT COMMERCIAL INDUCTION WARMER

1 x INBUILT COMMERCIAL INDUCTION COOKER

1 x SERVING TOP INSERT

ELEMENTS - LARGE



4 INTERCHANGEABLE PANELS

1 x INBUILT COMMERCIAL INDUCTION WARMER

1 x INBUILT COMMERCIAL INDUCTION COOKER

2 x SERVING TOP INSERTS



LET'S CONNECT

AMERICA

GAIL GORDON

+1 516 353 3106

gailg@ramler.com

JEFF SLADICK

+1 909 720 3613

jeffs@ramler.com

OCEANIA

ROB GILSHENAN

+61 (0)439 638 151

rob@ramler.com

MIDDLE EAST

VIJAY MENON

+971 564 662 533

vijaym@ramler.com

EUROPE

ALANA RAMLER

+44 7479 005 089

alanar@ramler.com

INTERNATIONAL

GARRY RAMLER

+1 917 328 1120

garry@ramler.com